

Culligan. quench®

# Wall 205-Zero

Wall-Mounted Water  
Dispenser

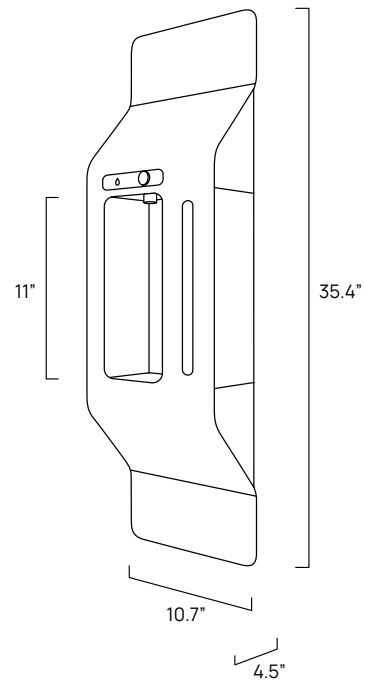


- Freshly filtered ambient water on-demand
- Innovative electricity-free dispensing with stainless steel push button
- Easy wall-mount installation offers placement almost anywhere
- Internal filter for easy installation and service





## Specifications



## Product Details

Maximize your floorspace while offering great-tasting drinking water by installing a wall-mounted Wall 205-Zero. This bottleless water dispenser offers a continuous supply of freshly filtered drinking water through stainless steel push button dispensing. The Wall 205-Zero's innovative, compact design offers easy installation almost anywhere easily accessible drinking water is needed. This unit does not require electricity to function, making it an easy solution for many workspaces.



### Product Features

- Freshly filtered ambient water on demand
- Stainless steel push button dispensing
- Internal filter for easy installation and service
- Dispensing height of 11 inches, perfect for reusable bottles
- No electricity needed for dispensing
- Stainless steel and anodized aluminum construction for easy cleaning

Dimensions	35.4" h x 10.7" w x 4.5" d
Dispensing Area Height	11"
Weight	15.4 lbs
Water Options	Ambient
Recommended Water Pressure	50 psi
Wall Power Consumption	8 amps
Undercounter Power Consumption	10 amps
Rated Voltage/Frequency	115V/60Hz
Model	Wall 205-Zero

Culligan Quench products are certified by independent authorized 3rd party laboratories in accordance of appropriate industry standards. To find out more about which certifications your product may have, please contact us.