

141

Commercial Single Cup Brewer from Flavia

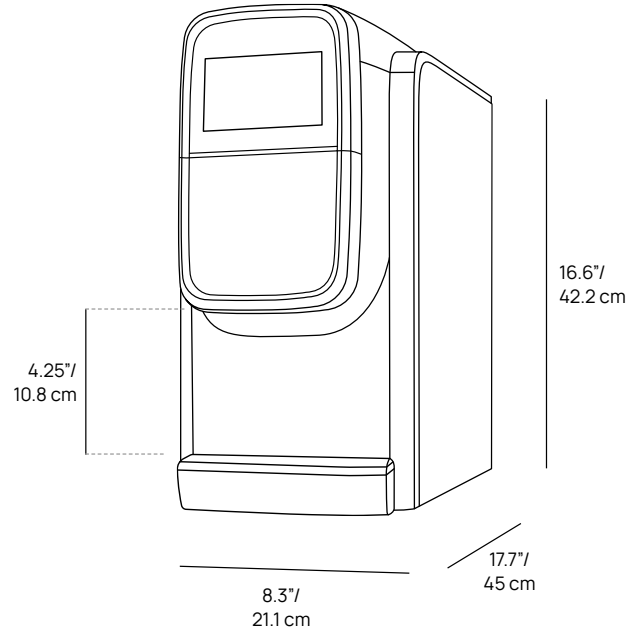


- Brews 5 oz, 7 oz, or 9 oz, hot individual cups with option for 3 oz ambient individual cups, perfect for brewing over ice
- Strong Brew option for fuller, bolder flavor
- Offers 14+ custom specialty beverage recipes including coffee, teas, lattes
- Milk frothing technology using allergen-friendly Original Milk Froth Freshpack or any non-dairy alternative
- Intuitive 4.3" color touchscreen to customize specialty beverage brew settings
- Instant hot water





Specifications



Product Details

Brew the perfect cup every time with the 141, a Flavia single-cup brewer designed for simplicity, reliability, and great taste. Enjoy individual 5 oz, 7 oz, or 9 oz, servings from an endless variety of freshly brewed coffees, tea, and specialty beverages, all customizable to suit your taste - including allergen-friendly dairy and non-dairy milk frothing options to avoid cross-contamination. Need hot water in a hurry? Dispense it instantly for soups, oatmeal, or other beverages. Plus, the intuitive 4.3" high-res color touchscreen makes operation effortless, with built-in service alerts helping keep you on top of restocking, cleaning, and maintenance - so your breakroom runs smoothly without the guesswork.

Commercial Coffee Brewer from Flavia

- Brews individual 5 oz, 7 oz, or 9 oz cups from an endless variety of specialty hot beverages or 3 oz cups for brewing over ice .
- Strong Brew option for bolder flavorful brews
- Contamination-free Allergen-friendly dairy and non-dairy milk frothing options for enhanced customization
- Compact size at 16.6" h x 8.3" w x 17.7" d, perfect for workspaces where every inch counts
- Easy-to-use high-res 4.3" color touchscreen to select the perfect drink preparation
- Quick hot water dispensing for other beverages, soups, and oatmeal
- Service alerts for brewer issues, restocking, and cleaning needs
- Optional Chill Refresh add-on offers cold drink brewing

Dimensions	16.6" h x 8.3" w x 17.7" d / 42.2 cm h x 21.1 cm w x 45 cm d
Optional Chill Refresh Dimensions	16.5" h x 10.1" w x 15.7" d / 41.9 cm h x 25.7 cm w x 39.9 cm d
Dispensing Area Height	4.25" / 10.8 cm
Weight	13.9 lbs / 6.3 kg
Rated Voltage/Frequency	120 V / 1440 W
Must be installed within 10 feet / 3 meters of a water source.	
Model	141

Uses Flavia Freshpacks

All products are certified by independent authorized 3rd party laboratories in accordance of appropriate industry standards. To find out more about which certification your product may have, please contact us