

Culligan. quench®

979-H/978-H

Undercounter Water and Chewable Ice Dispenser

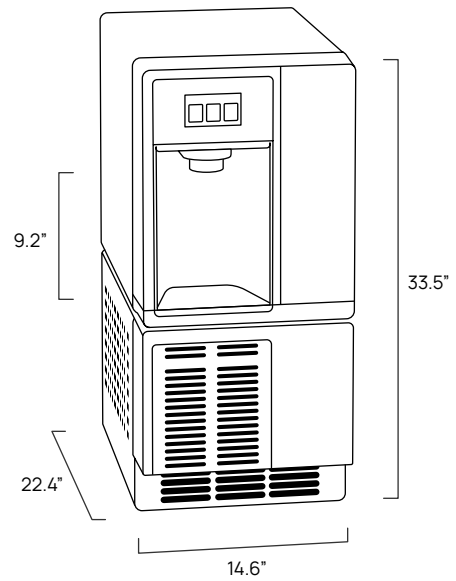


- Room temperature and hot filtered water
- Produces up to 125 lbs of chewable compressed nugget ice in 24 hours
- Stores up to 7 lbs of chewable ice
- State-of-the-art filtration technology
- Antimicrobial surface protection & UV-C to maintain water cleanliness
- Touchless dispensing
- No drain required
- ADA compliant





Specifications



Product Details

The space-saving 979-H undercounter ice machine will upgrade any breakroom. The 979-H provides ambient or hot filtered water on-demand while producing up to 125 pounds of chewable nugget ice in 24 hours. The 978-H is an ice-only model.

 Standard capacity

Undercounter Water and Chewable Ice Dispenser

- Chewable nugget ice maker
- Room temperature and hot filtered drinking water
- Produces up to 125 lbs of chewable ice a day*
- Stores up to 7 lbs of ice
- 4.3" touch display with touch-free dispensing
- Advanced carbon or reverse osmosis filtration
- Antimicrobial surface protection and UV light to maintain water cleanliness
- Drainless technology
- Undercounter design is ADA compliant
- Leak detection notification technology
- Ice-only model: 978-H

Dimensions	33.5" h x 14.6" w x 22.4" d for ADA compliance
Dispensing Area Height	9.2"
Weight	94 lbs
Ice Output	Up to 125 lbs of ice in 24 hrs*
Ice Storage	7 lbs
Recommended Water Pressure	10 - 70 psi
Rated Voltage/Frequency	115v/60Hz @ 5 amps
Power Consumption	6.9 kWh/100 lbs of ice
Drain Requirement	Not applicable
Clearance	6" in front; 3" in back
Model Number	978-H/979-H

* Ice production can change based on source water and ambient air temperature.

Culligan Quench products are certified by independent authorized 3rd party laboratories in accordance of appropriate industry standards. To find out more about which certifications your product may have, please contact us.