



Tower 72

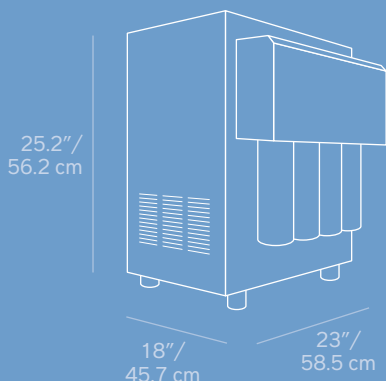
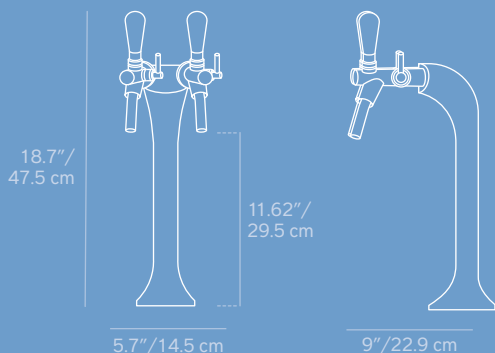
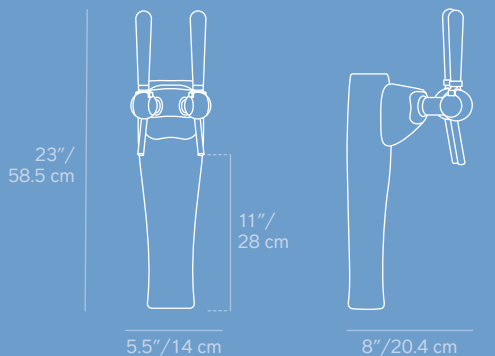
Filtered Water Dispenser

- Cold and ambient filtered water
- Two-tap dispensing
- Easy-to-use tap dispensing with bottle filling capabilities
- Vero+ advanced filtration
 - Ice bank chilling technology with R290 refrigerant to keep up with demand
 - 48 reusable Vero glass bottles provided



Tower 72

The Vero Water Tower 72 is a filtered still drinking water system that produces 180 liters of chilled or ambient still drinking water in an hour* – perfect for restaurants, hotels, and bars. The Vero Water Tower 72 uses EPA recommended R290 refrigerant, which is natural, non-toxic, and free of ozone-depleting properties, because it is one of the most climate-friendly refrigerants available. The Vero Water Tower 72's at least 11" dispense height with drip tray, rapid chilling, and manual portion control makes bottle-filling with Vero's exclusive reusable glass bottles an easy task for any staff or guest. Install the Vero Water Tower 72 to transform your guests' hydration experience!



Filtered Drinking Water On-Demand

- Freshly filtered cold or ambient drinking water through Vero-branded ceramic or Chrome tap dispensing system
- Filtered water is chilled using ice bank chilling technology featuring climate-friendly R290 refrigerant
- Chills up to 180 liters of filtered water in an hour*
- Dispensing height of at least 11" to accommodate exclusive Vero glass bottles
- 48 reusable Vero glass bottles included
- Installed and pre-regulated with backflow prevention
- Optional: The countertop mounted drip tray can be installed as a drain tray with plumbed-in draining

White Vero-Branded Ceramic Dimensions	23" h x 5.5" w x 8" d / 58.5 cm h x 14 cm w x 20.4 cm d Depth is 12" when taps are in use.
Chrome 2-Tap Dimensions	18.7" h x 5.7" w x 9" d / 47.5 cm h x 14.5 cm w x 22.9 cm d Depth is 14" when taps are in use.
Drip tray dimensions	1" h x 12.25" w x 7.5" d / 2.6 cm h x 31.1 cm w x 19.1 cm d
Undercounter dimensions	25.2" h x 18" w x 23" d / 56.2 cm h x 45.7 cm w x 58.5 cm d Width includes 4.25" width for the filtration housing
Ventilation clearance requirement	2" / 5 cm on all sides and top
Dispense height	Vero Branded Tower: 11"/28 cm Chrome Tower: 11.62"/29.5 cm
Tower dry weight	20 lbs. / 9.1 kg
Undercounter dry weight	94 lbs. / 42.7 kg
Water options	Cold still and ambient still
Chilling capacity	180 liters in an hour*
Cooling technology	Ice Bank chilling technology with R290 refrigerant
Recommended water pressure	50 psi
Ice block weight	22 lbs / 10 kg
Rated voltage/frequency/running amps	115 V / 60 Hz / 7 amps
Model number	Vero Water Tower 72-B Vero Water Tower 72-U

* Chilling capacity may vary depending on ambient water temperature.

All products are certified by independent authorized 3rd party laboratories in accordance of appropriate industry standards. To find out more about which certification your product may have, please contact us.