

# HydroTap Celsius Plus All-in-One (AIO)

Boiling/Chilled/Sparkling (BCS) 120V Product Spec Sheet



## HydroTap Celsius Plus All-in-One (AIO)

Form meets function with the HydroTap Celsius Plus All-in-One (AIO). Intended for installation over a sink in the kitchen or wet bar, the Celsius Plus AIO instantly dispenses filtered boiling, chilled and sparkling water, plus unfiltered hot & cold water. And it's all wrapped up in Zip Water's enduringly stylish design.

So whether you are looking to upgrade your home hydration or you want the convenience of cooking made easy, the HydroTap Celsius Plus AIO is the perfect tap to meet your needs. The Celsius Plus AIO is available in six luxury finishes from our classic chrome to our stylish brushed gold and gunmetal to complement any kitchen or wet bar.

## HydroTap Celsius Plus All-in-One - Available Finishes



Chrome

Brushed  
Chrome

Matte  
Black

## Product Order Codes for HydroTap Celsius Plus AIO Tap/Faucet (select one)

HydroTap Celsius Plus AIO BCS Tap/Faucet in Chrome	01045832
HydroTap Celsius Plus AIO BCS Tap/Faucet in Brushed Chrome	01045833
HydroTap Celsius Plus AIO BCS Tap/Faucet in Matte Black	01045834

## Product Order Code for HydroTap BCS 120V Command Center

HydroTap BCS 120V Command Center	01043466
----------------------------------	----------

## Product Order Code for CO<sub>2</sub> and Regulator

2 x 1.5lb Beverage-Grade Carbon Dioxide (CO <sub>2</sub> ) Cylinder	01034347
CO <sub>2</sub> Regulator	01034349
1 x 5lb Beverage-Grade Carbon Dioxide (CO <sub>2</sub> ) Cylinder (optional upgrade - if space allows)	01034348

# HydroTap Celsius Plus All-in-One (AIO)

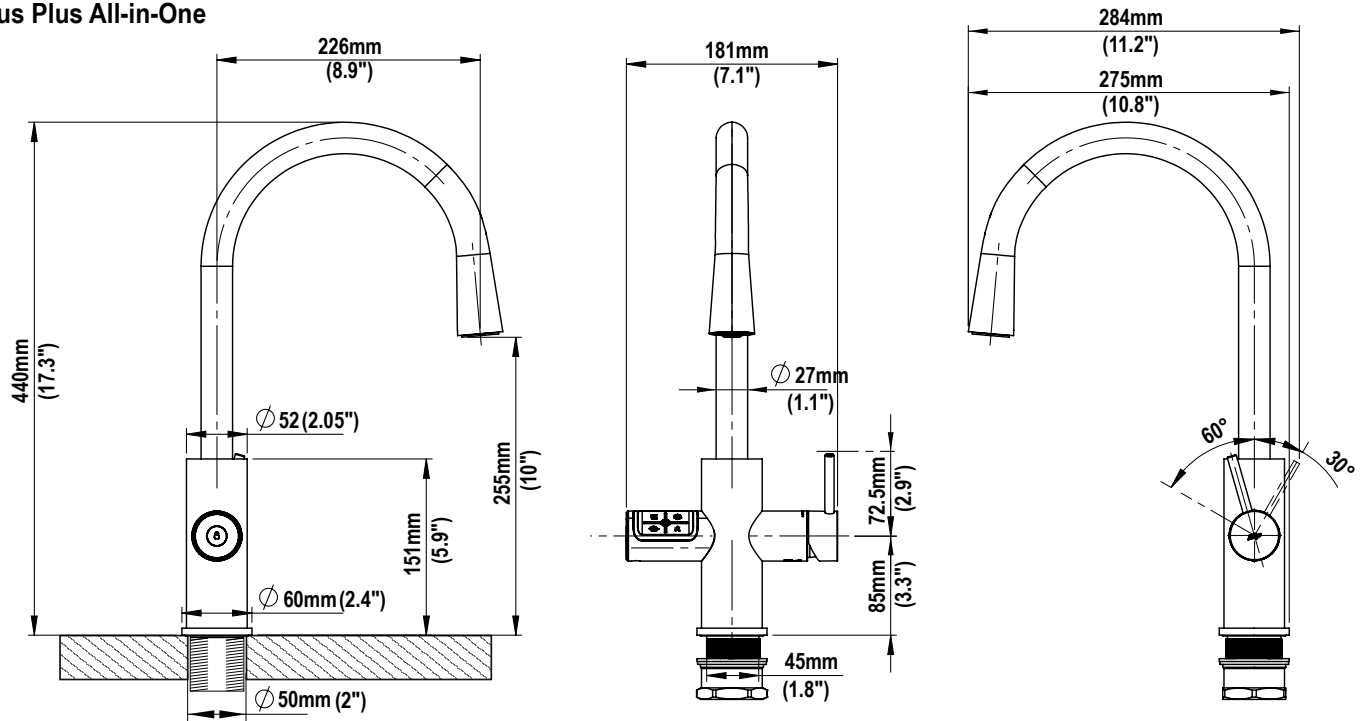
Boiling/Chilled/Sparkling (BCS) Product Spec Sheet



## HydroTap Celsius Plus AIO BCS 120V - Tap/Faucet Technical Specs

<b>Style:</b>	HydroTap Celsius Plus All-in-One (AIO) BCS 120V
<b>Hole Size:</b>	2" / 50mm
<b>Tap Height:</b>	17.3" / 440mm
<b>Installation:</b>	Over the sink as the primary faucet
<b>Flow Rate:</b>	Max 1.8gpm / 6.81 lpm
<b>Sparkling Water Flow Rate</b>	0.4 gpm / 1.51 lpm
<b>Mixer Type:</b>	Ceramic disc cartridge
<b>Water outlets:</b>	Installation requires both hot and cold water supplies
<b>Clearance for handle:</b>	Minimum distance from center hole to wall: 3 <sup>7</sup> / <sub>16</sub> " (88mm)

### Celsius Plus All-in-One



# HydroTap Celsius Plus All-in-One (AIO)

Boiling/Chilled/Sparkling (BCS) 120V Product Spec Sheet



## HydroTap Celsius Plus AIO BCS 120V - Command Center Technical Specs

<b>Style:</b>	HydroTap Celsius Plus All-in-One BCS 120V
<b>Water outlets:</b>	Installation requires both hot and cold water supplies
<b>Water Pressure:</b>	Min 37psi – Max 100psi (2.60 - 7.03kg/cm <sup>2</sup> ) with a minimum flow rate of 1 gpm (3.79lpm)
<b>Water Connection:</b>	2 x 1/2" BSP or 3/8" FPT compression (depending on manufacture date) with shut off valve is required within 3' (0.9m) of the installation
<b>Integral Water Values:</b>	All HydroTap systems are fitted with a Dual Check Valve and a 50psi (3.52kg/cm <sup>2</sup> ) Pressure Limiting Valve
<b>Water Supply Requirements:</b>	Potable drinking water supply
<b>Optimal Total Dissolved Solids (TDS) Range:</b>	TDS Min 50ppm – Max 150ppm
<b>Integral Water Filter:</b>	0.2 micron, 1 size - replace every 1,100 gallons / 4,163 liters or 12 months
<b>Power Rating:</b>	110-120V, 50-60Hz, 15 amp power supply with a NEMA 5-15 outlet
<b>Command Center Dimensions (WxDxH):</b>	13.3" x 18.2" x 13.1" / 339mm x 462mm x 333mm
<b>Minimum Air Gap:</b>	Minimum of 2" / 50mm clearance on left and right side and 8" / 200mm above
<b>Minimum Cabinet Size (Without Garbage Disposal):</b>	20" wide x 24" deep / 508mm wide x 610mm deep
<b>Minimum Cabinet Size (With Garbage Disposal):</b>	30" wide x 24" deep / 762 mm wide x 610mm deep When installing the HydroTap Celsius All-in-One BCS 120V in a cabinet with a garbage disposal, the cabinet must be at least 30" wide x 24" deep and the sink must have an off-centered drain to allow for the placement of the garbage disposal off to one side and the command center to the other.
<b>Maximum Hose Connection Length</b>	3' / 0.9m (tap to command center)
<b>Minimum Distance Needed for Installation</b>	15" / 381mm (interior wall to garbage disposal)
<b>Warranty:</b>	3 years (2 year Limited Warranty plus additional 1 year available on product registration)
<b>Compatible CO<sub>2</sub> Cylinder:</b>	Zip Water 1.5lb CO <sub>2</sub> or 5lb CO <sub>2</sub> (if space allows) with CGA-320 fitting
<b>CO<sub>2</sub> Operating Pressure:</b>	Min 39psi - Max 44psi / Min 2.74 - Max 3.09kg/cm <sup>2</sup>

# HydroTap Celsius Plus All-in-One (AIO)

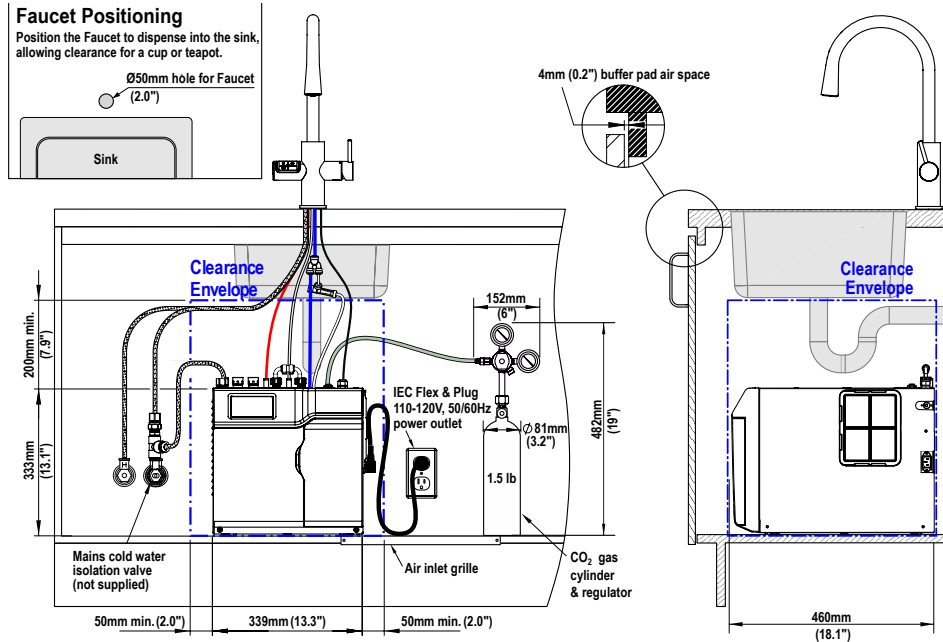
Boiling/Chilled/Sparkling (BCS) 120V Product Spec Sheet



## Installation Requirements

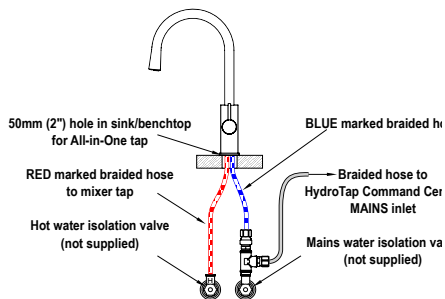
The HydroTap is a pump-driven system so the installation of the Tap must be within 3' (0.9m) of the base command center. Installation on most countertops is straightforward however, some stone countertops may require a specialized cutting service.

Installation and connection of your HydroTap must be carried out by a qualified person, observing all local, state, & federal regulations.



### Mains hot water supply installation

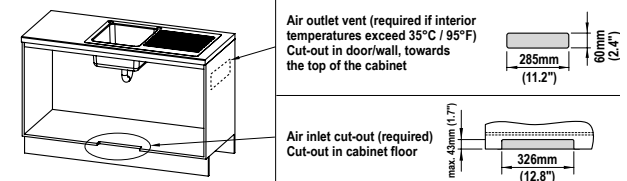
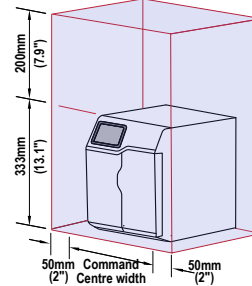
Hot and cold water supply required



### Ventilation requirements Contact your local service provider if ventilation is not suitable

#### Clearance envelope

Position the Faucet and the Command Centre as close together as possible.



Please call 1-833-233-2358 M-F 8am-7pm Central Time with questions.

# HydroTap 120V BCS G5 Command Center

Product Spec Sheet



## HydroTap 120V BCS G5 Command Center

Product Order Code: 01043466

The HydroTap by Zip Water is more than just a water system, it's cooking made easy, it's sparkling water on-demand and it's a crisp glass of chilled water. That's because the HydroTap 120V BCS command center provides users instant access to filtered boiling, chilled and sparkling water.

This command center is ideal for residential and small commercial applications and can be paired with any of our various tap styles.

## HydroTap 120V BCS G5 Command Center - Product Specs

<b>Product Order Code</b>	01043466
<b>Water Pressure:</b>	Min 37psi – Max 100psi (2.60 - 7.03kg/cm <sup>2</sup> ) with a minimum flow rate of 1 gpm (3.79lpm)
<b>Water Connection:</b>	½" BSP - isolation valve is required within 3' (0.9m) of the installation
<b>Integral Water Values:</b>	All HydroTap systems are fitted with a Dual Check Valve and a 50psi (3.52kg/cm <sup>2</sup> ) Pressure Limiting Valve
<b>Water Supply Requirements:</b>	Potable drinking water supply
<b>Optimal Total Dissolved Solids (TDS) Range:</b>	TDS Min 50ppm – Max 150ppm
<b>Integral Water Filter:</b>	0.2 micron, 1 size - replace every 1,100 gallons / 4,163 liters or 12 months
<b>Power Rating:</b>	110-120V, 50-60Hz, 15 amp power supply with a NEMA 5-15 outlet
<b>Dimensions (WxDxH):</b>	13.3" x 18.2" x 13.1" / 339mm x 462mm x 333mm
<b>Minimum Air Gap:</b>	Minimum of 2" / 50mm clearance on left and right side and 8" / 200mm above
<b>Minimum Cabinet Size:</b>	20" wide x 24" deep / 508mm wide x 610mm deep
<b>Maximum Hose Connection Length</b>	3' / 0.9m (tap to command center)
<b>Minimum Distance Needed for Installation</b>	15" / 381mm (interior wall to garbage disposal)
<b>Dry Weight:</b>	75lbs / 34kg
<b>Product Approvals:</b>	IAPMO - NSF/ANSI 372, 42, 53, CSA B483.1, ASSE 1023, ASSE 1087; cUL; CEC
<b>Warranty:</b>	3 years
<b>Compatible CO<sub>2</sub> Cylinder:</b>	Zip Water 1.5lb CO <sub>2</sub> or 5lb CO <sub>2</sub> (if space allows) with CGA-320 fitting
<b>CO<sub>2</sub> Operating Pressure:</b>	Min 39psi - Max 44psi / Min 2.74 - Max 3.09kg/cm <sup>2</sup>

# HydroTap 120V BCS G5 Command Center

## Product Spec Sheet

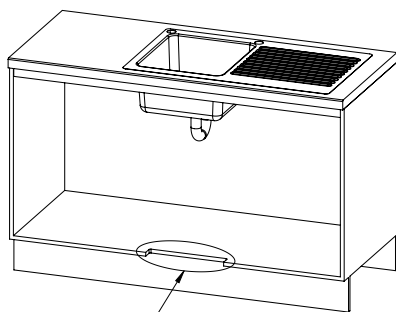


### Installation Requirements

Installation and connection of your HydroTap must be carried out by a qualified person, observing all local, state, & federal regulations. You will require suitable 110 -120V 50-60Hz, 15 amp power supply with a NEMA 5-15 electrical outlet within 5' 9" (1.75m) of the product.

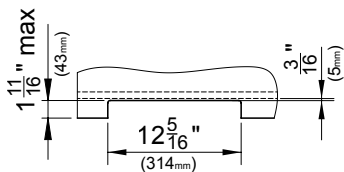
The HydroTap is a pump-driven system so the installation of the Tap must be within 3' (0.9m) of the base command center. The HydroTap is an air-cooled system so discrete cabinetry cut-outs are required for ventilation. Installation on most countertops is straightforward however, some stone countertops may require a specialized cutting service.

If using a drip tray (font) accessory, suitable drainage to a trapped waste is required within 3' (0.9m) of the installation. If you live in an area with hard water (more than 150ppm), we recommend installation of a scale filtration kit or a water softener. Sufficient space and clearance to install the HydroTap as detailed in the product installation guidelines is required.

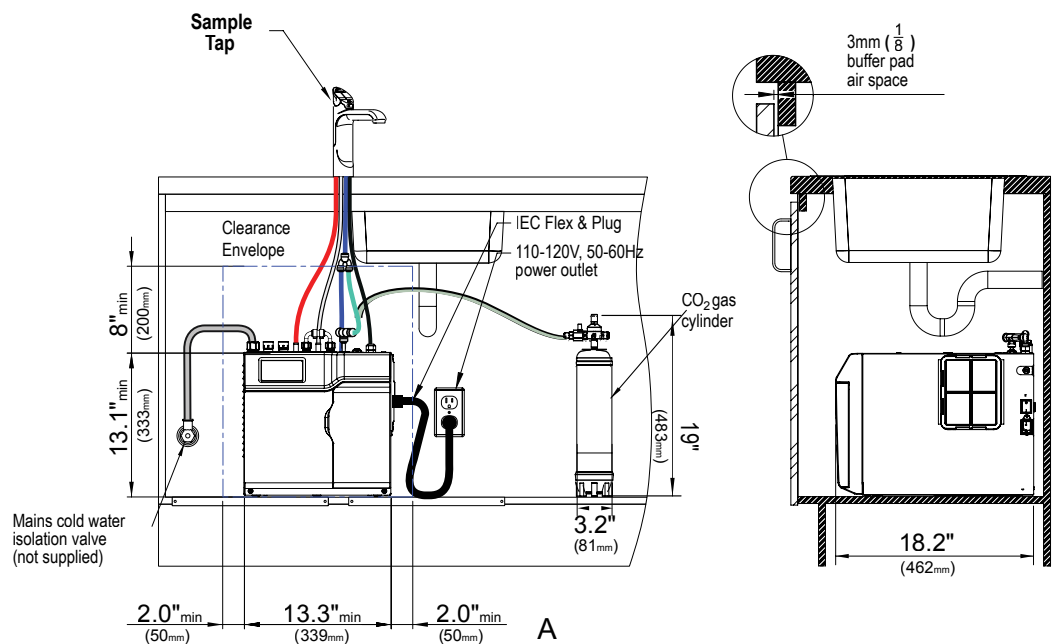


See Detail B

**VENTILATION DETAIL**



**DETAIL B: CABINET FLOOR CUT-OUT**



Scan QR code to view installation guide.

Installation by Zip Professional Service is available in select metro areas and can be arranged with a phone call to 1-833-233-2358 or by emailing [wecare@na.zipwater.com](mailto:wecare@na.zipwater.com). Technical Installation assistance over phone or video call can be obtained by calling our customer care line at 833-233-2358, Monday through Friday 8am - 5pm Central Time.

# HydroTap 240V BCS G5 Command Center

Product Spec Sheet



## HydroTap 240V BCS G5 Command Center

Product Order Code: 01043470

Elevate your drinking water at work by replacing your old, inefficient office water dispenser with a HydroTap BCS 240V system. Employees can enjoy on-demand boiling, chilled, and sparkling water at work.

This command center is ideal for commercial applications with up to 60 users and can be paired with any of our various tap styles.

## HydroTap 240V BCS G5 Command Center - Product Specs

<b>Product Order Code</b>	01043470
<b>Maximum number of users:</b>	Up to 60 people
<b>Water Pressure:</b>	Min 37psi – Max 100psi (2.60 - 7.03kg/cm <sup>2</sup> ) with a minimum flow rate of 1 gpm (3.79lpm)
<b>Water Connection:</b>	½" BSP - isolation valve is required within 3' (0.9m) of the installation
<b>Integral Water Values:</b>	All HydroTap systems are fitted with a Dual Check Valve and a 50psi (3.52kg/cm <sup>2</sup> ) Pressure Limiting Valve
<b>Water Supply Requirements:</b>	Potable drinking water supply
<b>Optimal Total Dissolved Solids (TDS) Range:</b>	TDS Min 50ppm – Max 150ppm
<b>Integral Water Filter:</b>	0.2 micron, 1.5 size - replace every 1,800 gallons / 6,813 liters (~6 months for a large office)
<b>Power Rating:</b>	220-240V, 50-60Hz, 15 amp power supply with a NEMA 6-15 outlet
<b>Dimensions (WxDxH):</b>	15.5" x 18.2" x 13.1" / 395mm x 464mm x 333mm
<b>Minimum Air Gap:</b>	Minimum of 2" / 50mm clearance on left and right side and 8" / 200mm above
<b>Minimum Cabinet Size:</b>	24" wide x 24" deep / 610mm wide x 610mm deep
<b>Maximum Hose Connection Length</b>	3' / 0.9m (tap to command center)
<b>Dry Weight:</b>	90.4lbs / 42kg
<b>Product Approvals:</b>	IAPMO - NSF/ANSI 372, 42, 53, CSA B483.1, ASSE 1023, ASSE 1087; cUL; CEC
<b>Warranty:</b>	3 years
<b>Compatible CO<sub>2</sub> Cylinder:</b>	Zip Water 5lb CO <sub>2</sub> with CGA-320 fitting
<b>CO<sub>2</sub> Operating Pressure:</b>	Min 39psi - Max 44psi / Min 2.74 - Max 3.09kg/cm <sup>2</sup>

# HydroTap 240V BCS G5 Command Center

Product Spec Sheet

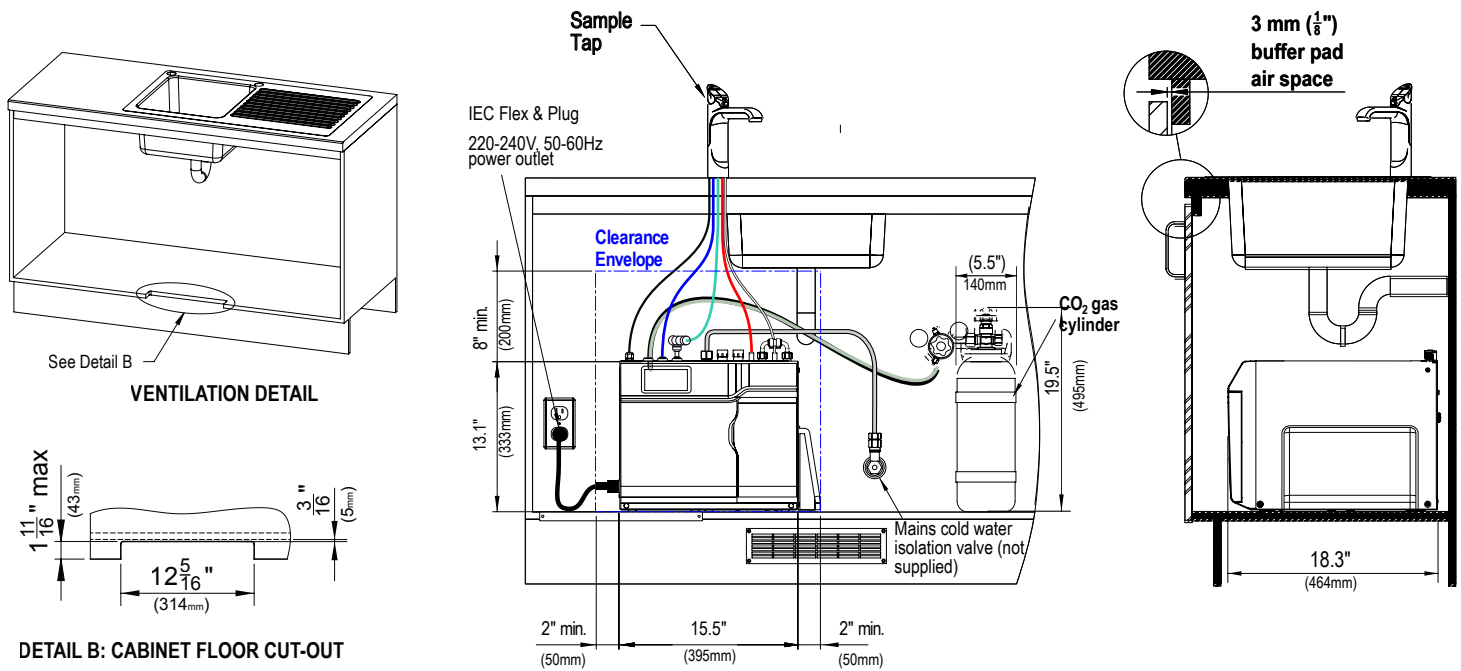


## Installation Requirements

Installation and connection of your HydroTap must be carried out by a qualified person, observing all local, state, & federal regulations. You will require suitable 220 -240V 50-60Hz, 15 amp power supply with a NEMA 6-15 electrical outlet within 5' 9" (1.75m) of the product.

The HydroTap is a pump-driven system so the installation of the Tap must be within 3' (0.9m) of the base command center. The HydroTap is an air-cooled system so discrete cabinetry cut-outs are required for ventilation. Installation on most countertops is straightforward however, some stone countertops may require a specialized cutting service.

If using a drip tray (font) accessory, suitable drainage to a trapped waste is required within 3' (0.9m) of the installation. If you live in an area with hard water (more than 150ppm), we recommend installation of a scale filtration kit or water softener. Sufficient space and clearance to install the HydroTap as detailed in the product installation guidelines is required.



Scan QR code to view installation guide.

Technical Installation assistance over phone or video call can be obtained by calling our customer care line at 1-833-233-2358, Monday through Friday 8am - 5pm Central Time.



# Classic Range Raised Font/Drip Tray

## Product Spec Sheet



The HydroTap Classic Range Raised Font / Drip Tray is an optional accessory that should be specified with any of our Classic Range taps (Classic, Classic Plus, Elite Plus and Touch-Free Wave) when the tap is installed away from the sink. The Classic Range Raised Font / Drip Tray is available in six finishes to match the corresponding taps.



Chrome

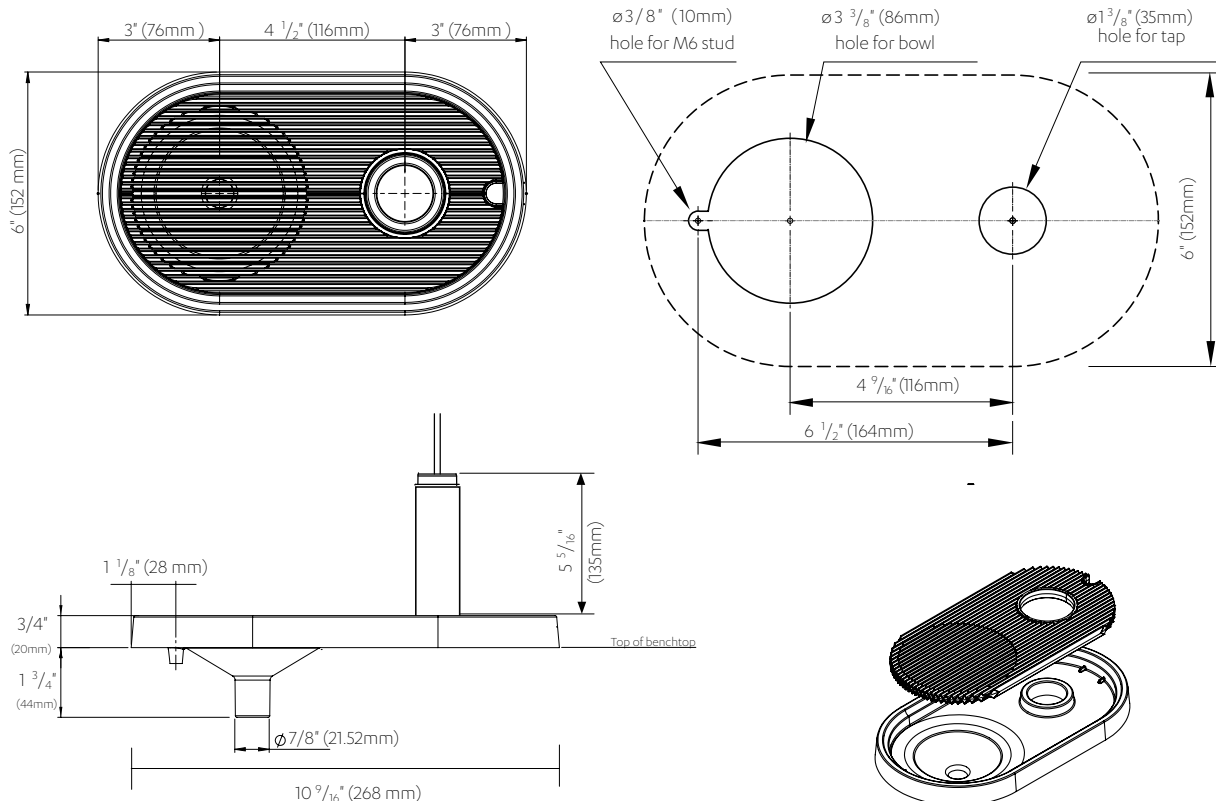
Brushed  
Chrome

Matte  
Black

### Classic Range Raised Font / Drip Tray - Order Codes

Drip Tray, Classic Range Raised Font in Chrome	01043502
Drip Tray, Classic Range Raised Font in Brushed Chrome	01043503
Drip Tray, Classic Range Raised Font in Matte Black	01043504

### Classic Range Raised Font / Drip Tray - Spec Details



Please see individual product spec sheets for tap and command center product specs and order codes.