



Vero +4

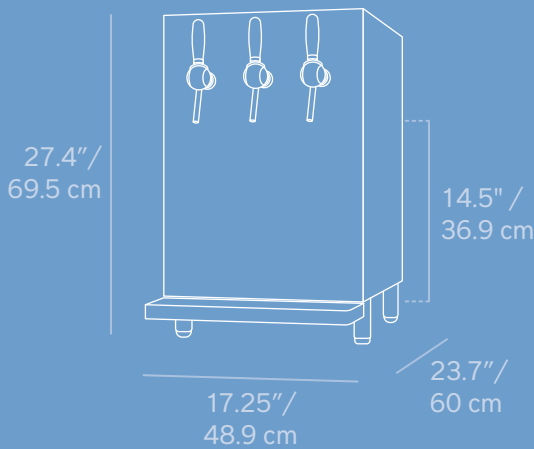
Sparkling Water Dispenser

- Cold and ambient filtered water
- Chilled sparkling water
- Easy-to-use pull-tap dispensing with bottle filling capabilities
- Vero+ advanced filtration
- Ice bank cooling technology with R290 refrigerant to keep up with demand
- Available with touchless sensor dispensing technology
- 48 reusable Vero glass bottles provided



Culligan quench®





Vero +4

The Vero Water +4 is a popular and capable system that can deliver up to 180+ liters of filtered still ambient, still cold or chilled sparkling water in an hour* – perfect for medium to large restaurants and hotels. The Vero Water +4's stylish stainless-steel design offers a touch of class to the installation site, allowing for installation in back or front of the house. The Vero +4 uses EPA recommended R290 refrigerant, which is natural, non-toxic, and free of ozone-depleting properties, because it is one of the most climate-friendly refrigerants available. Its 14.5" dispense height, rapid chilling, and manual flow control offer easy bottle-filling capabilities with specially designed Vero reusable glass bottles. Offer your guests an elegant and refined hydration experience with the Vero +4.

Sparkling Water On-Demand

- Compact all-in-one countertop system with pull-tap dispensing
- Freshly chilled still and sparkling water through ice bank technology
- Chills up to 180 liters of filtered water in an hour with a maximum flow capacity of 240 liters per hour*
- Stainless steel design resists fingerprints and dirt
- Dispensing height of 14.5" to accommodate Vero glass bottles
- 48 reusable Vero glass bottles included
- Installed and pre-regulated with proper backflow prevention
- Easily connects to either external CO₂ tank or bulk CO₂ supply
- Available with touchless dispensing as the Vero +4 Touchless

Dimensions	27.4" h x 17.25" w x 23.7" d / 69.5 cm h x 48.9 cm w x 60 cm d
Ventilation clearance requirement	2" / 5 cm on all sides and top
Dry weight	110 lbs. / 50 kg
Dispense height	14.5" / 36.9 CM
Water options	Cold, ambient, and chilled sparkling
Chilling capacity	180 liters in an hour*
Maximum flow capacity	240 liters per hour
Cooling technology	Ice Bank cooling technology with R290 refrigerant
Recommended water pressure	50 PSI
Ice bank capacity	22 lbs / 10 kgs
CO ₂ specification	Available external CO ₂ tank or bulk CO ₂ supply connection; Runs at 55 PSI
Rated voltage/frequency/running amps	115 V/60 Hz/8 amps
Model number	Vero Water +4

* Chilling capacity may vary depending on ambient water temperature.

All products are certified by independent authorized 3rd party laboratories in accordance of appropriate industry standards. To find out more about which certification your product may have, please contact us.



888.877.0561 | quenchwater.com

© 2023 Culligan Quench. All rights reserved.. V+4-001-OCT23

Culligan quench