

Q12

Commercial Capacity Bottlefree Water Cooler with quenchWATER+

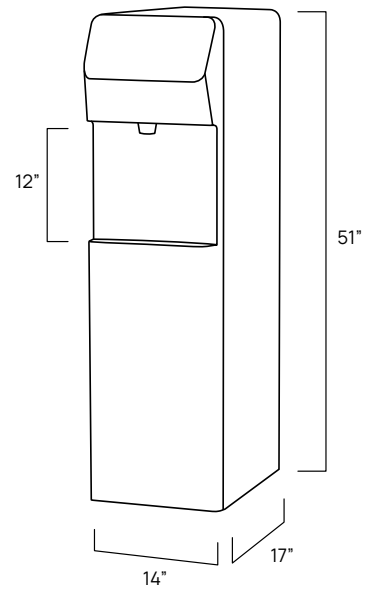


- Bottlefree commercial capacity water cooler
- Touchless dispenser with sensor-activation
- Cold, ambient, and hot mineral-infused and electrolyte enhanced drinking water
- Antimicrobial surface protection technology
- Dual LED-UV technology for better water quality and system cleanliness





Specifications



Product Details

Water up with the Q12! This commercial capacity bottlefree water cooler is a perfect fit for a variety of high-traffic environments, including warehouses, manufacturing operations, large offices, education, hospitality and cafeterias. The Q12 dispenses cold water at an industry leading rate of over 4 liters of drinking water a minute to reduce wait times between users and “keep up with demand.” The Q12 features touchless sensor-activated dispensing and antimicrobial surface protection to ensure safe dispensing as well as an air filter and dual LED UV-C to maintain the quality and cleanliness of the drinking water. Upgrade to the Q12 today!

 Commercial capacity

 Mineral+

Advanced Features

- Reverse osmosis filtration with mineral additives to produce quenchWATER+
- Dispenses an endless supply of cold, hot, and ambient drinking water
- Touchless sensor-activated dispensing with hot water safety feature
- Booster dispense pump with large 12” dispensing area for quick bottle- or canteen-filling
- Dual LED UV-C light and stainless-steel storage tanks to maintain water quality
- Antimicrobial surface protection
- Automatic leak detection and shut-off

Dimensions	51” h x 14” w x 17” d
Dispensing Area Height	12”
Weight	78 lbs
Cold Tank Capacity	6 gal
Hot Tank Capacity	.53 gal
Filtered Water Production	100 gal/day
Water Pressure	40-60 psi
Power Consumption	3.8 amps
Rated Voltage/Frequency	120v/60Hz
Model Number	Q12 FS

Quench products are certified by independent authorized 3rd party laboratories in accordance of appropriate industry standards. To find out more about which certifications your product may have, please contact us.