

# 980-90

## High-Capacity Water and Ice Dispenser

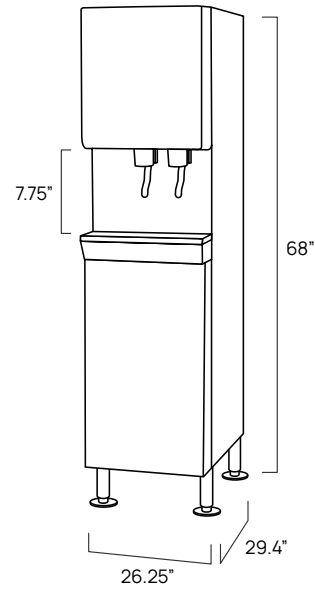


- Room temperature water
- Produces up to 425 lbs of chewable nugget ice
- Stores up to 90 lbs of ice
- State-of-the-art filtration technology
- Sanitary touchless dispensing
- Antimicrobial surface protection






## Specifications



## Product Details

Level up your ice game with the 980-90! The 980-90 is a rugged, high-capacity ice and water dispenser that produces up to 425 pounds of chewable nugget ice in 24 hours and stores up to 90 pounds. The 980-90 features sanitary touchless dispensing which is perfect for a workplace that requires a large volume of ice quickly, including any warehouse, healthcare environment, or cafeteria.

 Commercial capacity

### High-Capacity Water and Ice Dispenser

- Chewable Chewblet® ice maker and room temperature water dispenser
- Total ice-making capability – up to 425 pounds per day
- Stores up to 90 lbs of ice
- Advanced carbon or reverse osmosis filtration
- Antimicrobial surface protection
- Large dispensing area with lever dispensing
- Available with SensorSAFE infrared touchless dispensing technology

Dimensions	68" h x 26.25" w x 29.4" d
Dispensing Area Height	7.75"
Weight	253 lbs
Ice Output	Up to 425 lbs/24 hr
Ice Storage	90 lbs
Recommended Water Pressure	10 - 70 psi
Rated Voltage/Frequency	115v/60Hz @ 13 amps
Power Consumption	5.7 kW/100 lbs of ice
Drain Requirement	Needs to be installed within 10 feet of a drain
Clearance	6" top, 4" back
Model Number	980-90

Culligan Quench products are certified by independent authorized 3rd party laboratories in accordance of appropriate industry standards. To find out more about which certifications your product may have, please contact us.

\* Ice production can change based on source water temperature and ambient air temperature.