

Culligan. quench®

980-30/ 985-30

High-Capacity Water and Ice Dispenser

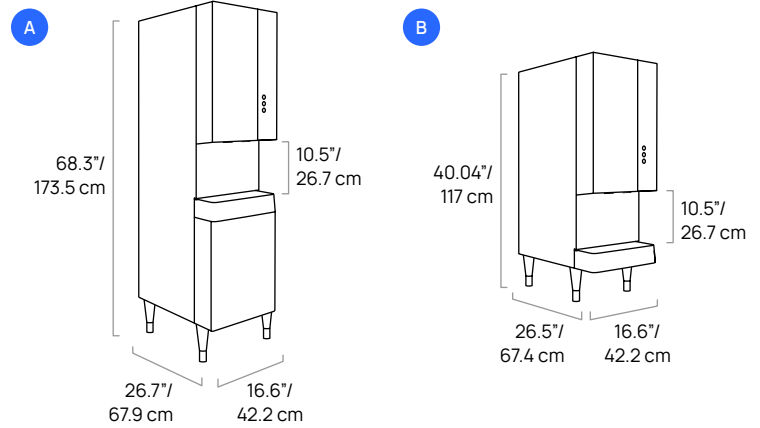


- Room temperature filtered water
- Produces up to 380 lbs. of chewable nugget ice in 24 hours*
- Stores up to 30 lbs. of chewable ice
- State-of-the-art filtration technology
- Point-of-dispense LED UV to maintain water and ice cleanliness
- Easy-to-use sensor dispensing
- Antimicrobial surface protection
- Available as a freestanding model or as a space-saving tabletop





Specifications



Product Details

Upgrade your breakroom's water and ice with the 980-30/985-30! This innovative water and ice dispenser offers ambient unlimited filtered water and up to 380 lbs. of chewable nugget ice a day*! With the 980-30's innovative dispensing and 30 lbs. of ice storage, users can dispense "the good" chewable ice and freshly filtered ambient water through a single point-of-dispense,, perfect for busy workplaces that require rapid distribution of ice, like warehouses, distribution centers, and breakrooms with shifts. Looking to save floor space? We have you covered with a tabletop model – the 985-30.



Commercial capacity

Bottlefree Water Cooler & Ice Dispenser

- Chewable ice maker with ambient filtered drinking water
- Produces up to 380 lbs. of chewable ice per day*
- Stores up to 30 lbs. of ice
- Offers single spout dispensing for ice only, filtered water only, or water and ice combined dispensing
- Easy-to-use touch sensor interface
- 10.5" dispense height with extra-large drip tray
- Point-of-dispense UV to maintain cleanliness
- Smooth and scratch resistant surface for quick and easy cleaning
- Stainless steel ice storage bin for added sanitation
- Advanced carbon or reverse osmosis filtration
- Available as a tall Freestanding model (980-30) or space-saving tabletop (985-30)

Culligan Quench products are certified by independent authorized 3rd party laboratories in accordance of appropriate industry standards. The 960/965 machine is certified lead free and meets CA AB1953 lead free requirements. To find out more about which certifications your product may have, please contact us.

* Ice production can change based on source water temperature and ambient air temperature.

A 980-30 (Freestanding)

Dimensions	68.3" h x 16.6" w x 26.7" d / 173.5 cm h x 42.2 cm w x 67.9 cm d
Dispensing Area	10.5" / 26.7 cm
Weight	281 lbs./127.5 kg
Ice Output	380 lbs./172.4 kg in 24 hours
Ice Storage	30 lbs/ 13.6 kg
Recommended Water Pressure	30 - 60 PSI
Rated Voltage/Frequency	115V/60Hz
Power Consumption	8.8 amps Nominal
Drainage	Needs to be installed within 10 feet of a drain
Clearance	5" sides, 3" at the back, >14" on top; Front panel must be free to open for service**
Model Number	980-30

B 985-25 (Tabletop)

Dimensions	46.04" h x 16.6" w x 26.5" d / 117 cm h x 42.2 cm w x 67.4 cm d
Dispensing Area	10.5" / 26.7 cm
Weight	223 lbs/101.2 kg
Ice Output	380 lbs./172.4 kg in 24 hours
Ice Storage	30 lbs/ 13.6 kg
Recommended Water Pressure	30 - 60 PSI
Rated Voltage/Frequency	115V/60Hz
Power Consumption	8.8 amps Nominal
Drainage	Needs to be installed within 10 feet of a drain
Clearance	5" sides, 3" at the back, >14" on top; Front panel must be free to open for service. Must be installed with a ceiling clearance of 10 ft.**
Model Number	985-30