

Culligan. quench®

# 960-16/ 965-16

## Bottlefree Water Cooler and Ice Dispenser

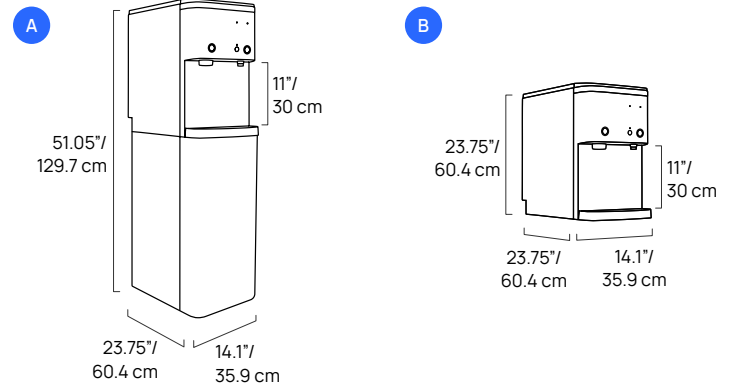


- Filtered ambient and hot drinking water and chewable ice
- Produces up to 165 lbs. of chewable compressed nugget ice in 24 hours\*
- Stores up to 16 lbs. of chewable ice
- State-of-the-art filtration technology
- In-tank and in-storage bin LED UV to maintain cleanliness
- Touchless pedal or sensor dispensing conversion available
- Available as a freestanding model or as a space-saving countertop





## Specifications



## Product Details

Elevate your breakroom water and ice with the 960-16! The 960-16 water and ice dispenser produces up to 165 lbs. of high-quality chewable ice nuggets while providing freshly filtered ambient and hot drinking water. With its taller “no-bend” ergonomic design, the 960-16 is an attractive addition to any workplace location – break room, kitchen, or hallway. The 960-16 also offers peace of mind with in-tank UV to maintain water cleanliness and prevent cross-contamination. The 960-16 is also available as a compact space-saving countertop model, the 965-16. Water up with the 960-16!

 Large capacity

### Bottlefree Water Cooler & Ice Dispenser

- State-of-the-art Quench filtration
- Single spout for room temperature and hot drinking water
- Produces 165 lbs. of chewable compressed nugget ice per day\*
- Stores up to 16 lbs. of ice
- Hot water safety dispensing
- Optional drainless installation
- Leak detection technology
- Touchless dual pedal dispensing or sensor interface conversion available
- Taller ergonomic “no-bend” dispensing design (freestanding model)
- Countertop model Quench 965-16 fits under most cabinets

Culligan Quench products are certified by independent authorized 3rd party laboratories in accordance of appropriate industry standards. To find out more about which certifications your product may have, please contact us.

\* Ice production can change based on source water temperature and ambient air temperature.

### A 960-16 (Freestanding)

Dimensions	51.05" h x 14.1" w x 23.75" d / 129.7 cm h x 35.9 cm w x 60.4 cm d
Dispensing Area	11"/30 cm
Weight	131 lbs/59.5 kgs
Ice Output	165 lbs/74.9 kg in 24 hours
Ice Storage	16 lbs/7.3 kg
Recommended Water Pressure	30 - 70 PSI
Rated Voltage/Frequency	120V/60Hz
Power Consumption	4.9 amps (565 W)
Drainage	Drainless Technology available in low TDS environments (<150 ppm)
Clearance	5" sides, rear; Access to the top is required for service
Model Number	960-16

### B 965-16 (Countertop)

Dimensions	23.75" h x 14.1" w x 23.75" d / 60.4 cm h x 35.9 cm w x 60.4 cm d
Dispensing Area	11"/30 cm
Weight	99 lbs/45 kg
Ice Output	165 lbs/74.9 kg in 24 hours
Ice Storage	16 lbs/7.3 kg
Recommended Water Pressure	30 - 70 PSI
Rated Voltage/Frequency	120V/60Hz
Power Consumption	4.9 amps (565 W)
Drainage	Drainless Technology available in low TDS environments (<150 ppm)
Clearance	5" sides, rear; Access to the top is required for service
Model Number	965-16