

Culligan. quench®

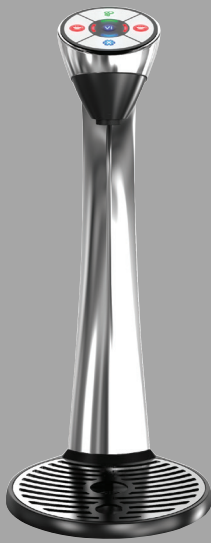
578

Vivreau® Vi Tap

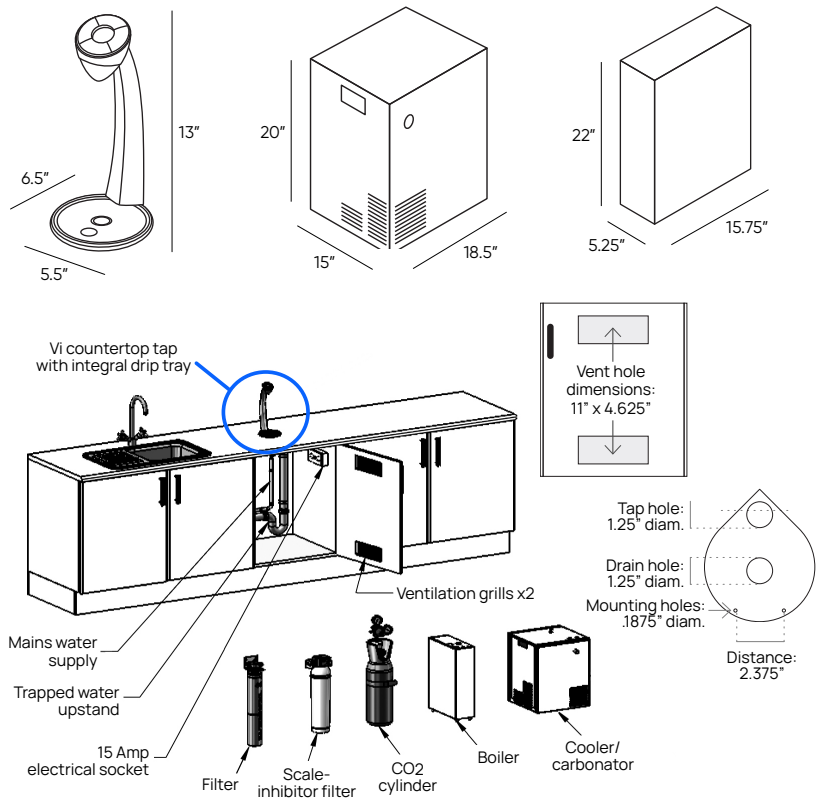


- Cold and hot filtered water
- Chilled sparkling water
- Touch control tap dispensing
- Ice bank cooling technology
- Hot water safety features
- Also, available as cold and sparkling only as the 573





Specifications



Product Details

Modernize your countertops with the 578 Vivreau® Vi Tap. This stylish and contemporary chrome-finished countertop dispenser offers hot water instantly as well as a virtually endless supply of cold, filtered sparkling and still water via a digital touchpad. The 578 is a perfect solution for a VIP lounge, staff pantry or kitchen, breakroom or high-end hospitality environment. Also available without hot water as the 573.

Vivreau® Vi Tap

- Cold and hot filtered water
- Chilled sparkling water
- Ice bank cooling technology
- Touch control tap dispensing with hot water safety feature
- Zero splash water flow
- Dispensing height of 9.7"
- Stainless steel drip tray with drain
- Requires under-counter space and access
- Available without hot water as Quench 573

Culligan Quench products are certified by independent authorized 3rd party laboratories in accordance of appropriate industry standards. To find out more about which certification your product may have, please contact us.

All sparkling water dispensers require CO2 cylinders. If connecting to a bulk or existing CO2 system, a CO2 line terminating at a ¼" barbed shutoff valve must be available at the installation site.

578

Dimensions

Cabinet Space Requirements	30" h x 30" w x 24" d
Boiler	22" h x 5.25" w x 15.75" d
Cooler/Carbonator	20" h x 15" w x 18.5" d
Tap Dispenser	13" h x 5.5" w x 6.5" d (allow 6" clearance above)
Dispensing Area	9.6"
Water Options	Cold still, hot still, and cold sparkling
Continuous Cold Water Supply	21 gal/hr
Hot Water Production	3 gal/hr
Cooling Technology	Stainless steel cooling coil
Recommended Water Pressure	50 - 80 psi
Rated Voltage/Frequency	120v/60 Hz
Power Consumption	11 amps
Model Number	578

573

Dimensions

Cabinet Space Requirements	30" h x 30" w x 24" d
Cooler/Carbonator	20" h x 15" w x 18.5" d
Tap Dispenser	13" h x 5.5" w x 6.5" d (allow 6" clearance above)
Dispensing Area	9.6"
Water Options	Cold still and cold sparkling
Continuous Cold Water Supply	21 gal/hr
Hot Water Production	None
Cooling Technology	Stainless steel cooling coil
Recommended Water Pressure	50 - 80 psi
Rated Voltage/Frequency	120v/60 Hz
Power Consumption	11 amps
Model Number	573