

Culligan. quench®

182 Nespresso

Commercial Single-Cup
Pod Brewer

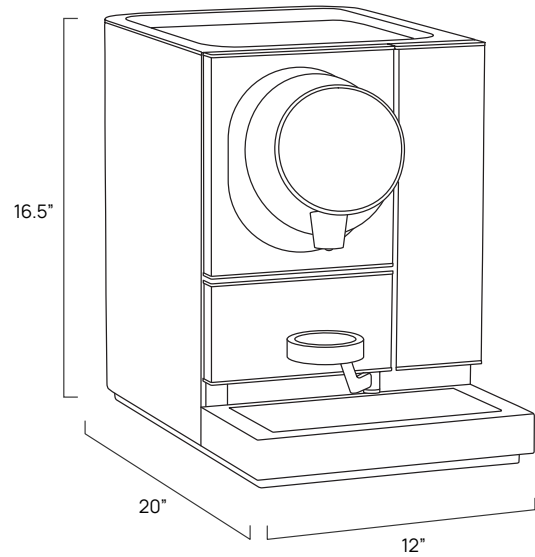


- Brews individual 0.85, 1.35, 3.75, 5, or 7 oz. cups
- Uses single-serve Nespresso Professional coffee pods
- Auto-eject pod disposal
- Swinging cup support to accommodate taller mugs
- Easy-to-use interactive touchscreen dispensing
- Energy-saving mode
- Hot water dispensing





Specifications



Product Details

Enhance your break room with the 182 Nespresso! This modern and smart single-cup brewer uses exclusive Nespresso pods to brew a perfect Ristretto, Espresso, Lungo, Americano or Large Americano for your guests, clients, and employees, transporting them to their favorite coffee shop. With easy-to-use interactive touchscreen that recommends the best way to brew enabling users to craft their favorite cup like a barista. The 182 Nespresso also offers peace of mind with touchless brewing and auto-eject used pod capsules technology.

Commercial Nespresso Coffee Brewer

- Brews Ristretto (0.85 oz.), Espresso (1.35 oz.), Lungo (3.75 oz.), Americano (5 oz.), Large American (7 oz.) coffee using Nespresso pods
- Single extraction head for optimal flavor extraction
- Interactive touchscreen display for touchless brewing
- Cup support for shorter coffee mugs
- Auto-eject pod disposal with built-in trash bin that holds 40 used pod capsules
- Eco-friendly automatic and programmable zero energy consumption mode with proximity sensors for quick reanimation
- Quick hot water dispensing for other beverages, soups, and oatmeal
- Uses eco-friendly coffee Nespresso pods

Dimensions	16.5" h x 12" w x 20" d
------------	-------------------------

Weight	35 lbs
--------	--------

Rated Voltage/Frequency	120V/60Hz
-------------------------	-----------

Must be installed within 25 feet of water source	
--	--

Model	182 Nespresso
-------	---------------

Uses Nespresso pods

Culligan Quench products are certified by independent authorized 3rd party laboratories in accordance of appropriate industry standards. To find out more about which certifications your product may have, please contact us.