

174

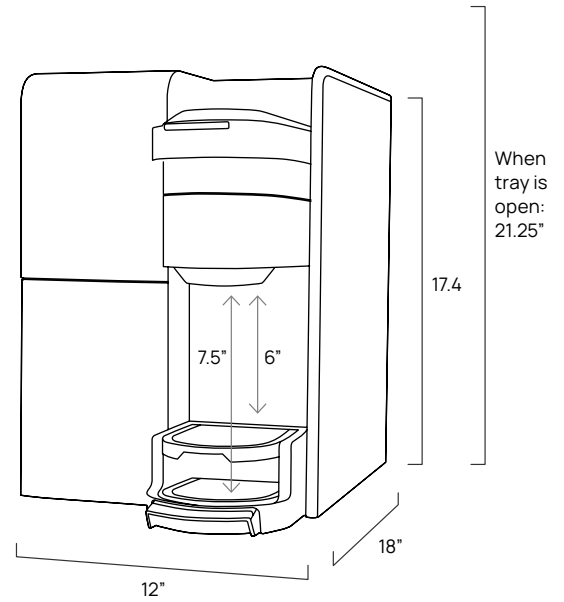
Commercial Keurig® Single-Cup Brewer

- Brews individual 4, 6, 8, 10 or 12 oz. cups
- Intuitive color touchscreen
- Automatic K-Cup® pod ejection and storage
- Instant hot water
- Uses K-Cup® pods





Specifications



Product Details

Level up with the 174! The 174 uses Keurig® technology to offer unlimited back-to-back brewing for coffee, tea, and hot chocolate every 60 seconds. The easy-to-use touchscreen interface allows users to brew their favorite K-Cup® product in either a 4, 6, 8, 10, or 12 oz. cup. The used K-Cup® pods are automatically ejected into a built-in trash bin after each brew – no need to touch used K-Cup® pods!

Simplicity Meets Productivity

- Brews 4, 6, 8, 10, or 12 oz cups using K-Cups® products
- Intuitive hi-res color touchscreen
- Strong brew option for a bolder, more intense flavor
- Automatic K-Cup® pod ejection and storage
- Instant hot water for soups and instant oatmeal
- Energy efficient with programmable sleep mode and screen saver feature
- Mug shelf flips up to accommodate travel mugs

Dimensions	17.4" h x 12" w x 18" d (height measures to the top of the brewer; allow 6" clearance above)
Dispensing Area Height	6" with mug shelf/ 7.5" without mug shelf
Weight	35 lbs
Rated Voltage/Frequency	120V/60Hz
Power Consumption	1400W/15 Amp
Model	174

Uses K-Cup® pods

Culligan Quench products are certified by independent authorized 3rd party laboratories in accordance of appropriate industry standards. To find out more about which certifications your product may have, please contact us.