

# 166

## Commercial Single-Cup Pod Brewer

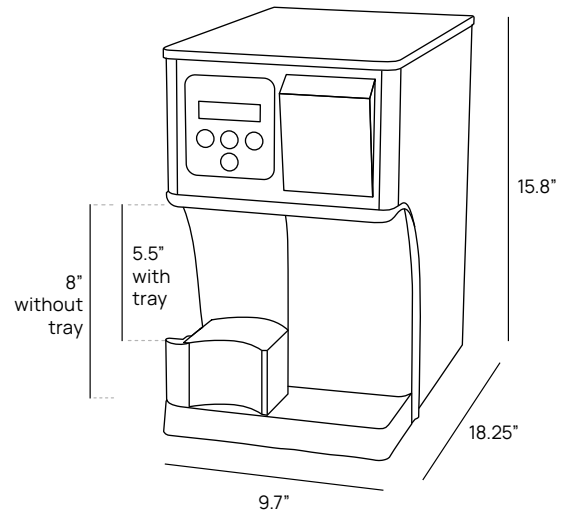


- Brews individual 6 or 10 oz. cups
- Uses biodegradable single-serve coffee or tea pods
- Auto-eject pod disposal
- Pulse-brewing technology for great flavor
- Digital display screen
- Energy-saving mode
- Hot water dispensing





## Specifications



## Product Details

Improve your break room coffee with the 166! This single-cup brewer uses biodegradable, environmentally-friendly pods to brew flavorful coffee or tea. Users are enticed to brew 6 oz. to 10 oz. cups of coffee or tea in the flavor and strength of their choice. The 166 is simple to use with push-button dispensing, digital-display, and an auto-eject mechanism for easy pod disposal.

### Commercial Single-Cup Pod Brewer

- Brews 6 or 10 oz. individual cups of coffee or tea
- Spray head design and pulse-brewing for optimal flavor extraction
- Push-button dispensing and easy-to-use digital display to select cup size and brew strength
- Pull out cup tray for small coffee mugs
- Auto-eject pod disposal with built-in trash bin
- Hot water dispensing for other beverages, soups, and oatmeal
- Uses eco-friendly coffee or tea pods

Dimensions	15.8" h x 9.7" w x 18.25"d (depth with pod door open)
------------	--

Weight	29.6 lbs
--------	----------

Rated Voltage/Frequency	120v/60HZ
-------------------------	-----------

Power Consumption	11.9A/1425W/120V
-------------------	------------------

Must be installed within 25 feet of water source

Model	166
-------	-----

Uses coffee/tea pods

Culligan Quench products are certified by independent authorized 3rd party laboratories in accordance of appropriate industry standards. To find out more about which certifications your product may have, please contact us.