

165

Single-Cup Pod Brewer

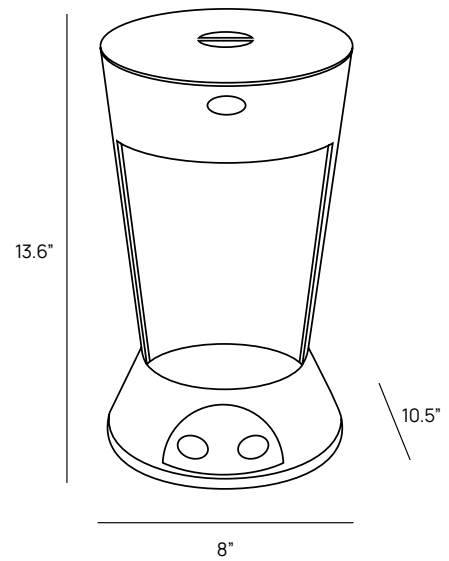


- Uses biodegradable single-serve coffee or tea pods
- Pulse-brewing technology for perfect tea in less than one minute or coffee in 30 seconds
- Brews 4 to 12 oz. cup sizes to meet your beverage strength preferences
- Professionally plumbed into building water supply





Specifications



Product Details

Upgrade your single-serve coffee brewer to the environmentally-friendly 165! Using pulse-brewing technology, the 165 delivers balanced flavor in each cup using biodegradable single-serve coffee or tea pods. Employees, guests, and customers can brew their 4 oz. to 12 oz. of coffee or tea to their preferred brew strength by adjusting the portion/volume control slide.

Eco-Friendly Pod Brewer

- Fast brew coffee in 30 seconds
- Pulse-brewing for perfect tea in under one minute
- Brews individual cups between 4 oz. and 12 oz
- Patented brewing system
- Uses environmentally-friendly coffee or tea pods

Dimensions	13.6" h x 8" w x 10.5" d
Weight	11.3 lbs
Rated Voltage/Frequency	120v/60Hz
Power Consumption	1440W/120v
Model	165
Uses coffee/tea pods	

Culligan Quench products are certified by independent authorized 3rd party laboratories in accordance of appropriate industry standards. To find out more about which certifications your product may have, please contact us.