

# 154

## High-Capacity Thermal Coffee Brewer

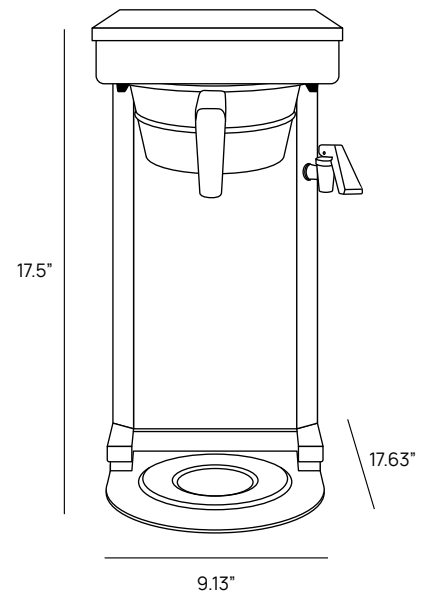


- Advanced digital system
- Stainless steel carafe holds 84.5 oz.
- Pulse brewing technology
- Innovative AFS Sprayhead
- Hot water spigot
- Compact design





## Specifications



## Product Details

Upgrade your high-capacity thermal coffee brewer to the 154! The 154's stainless steel carafe holds 84.5 oz. of hot, fresh coffee for up to 6 hours. Equipped with pulse brewing technology, the 154 only brews when the water has reached optimum brewing temperature to extract the richest, fullest flavor from every type of coffee. The 154 also dispenses hot water for tea, hot chocolate, or instant oatmeal – even during the brew cycle!

### High-Capacity Thermal Brewer

- Advanced digital system with pulse brewing technology
- Stainless steel carafe holds 84.5 oz of hot coffee for up to 6 hours
- Innovative AFS Sprayhead
- Hot water spigot
- Uses freshly ground coffee

Dimensions	17.5" h x 9.13" w x 17.63" d
Dispensing Area Height	11.5"
Weight	29 lbs
Rated Voltage/Frequency	120v/50/60Hz
Brew Capacity	84.5 oz.
Burst Capacity	4.5 gal/hr
Water Source	1/4" Flare
Model	154

Uses freshly ground coffee

Culligan Quench products are certified by independent authorized 3rd party laboratories in accordance of appropriate industry standards. To find out more about which certifications your product may have, please contact us.