

Culligan. quench®

152

Thermal Coffee Brewer

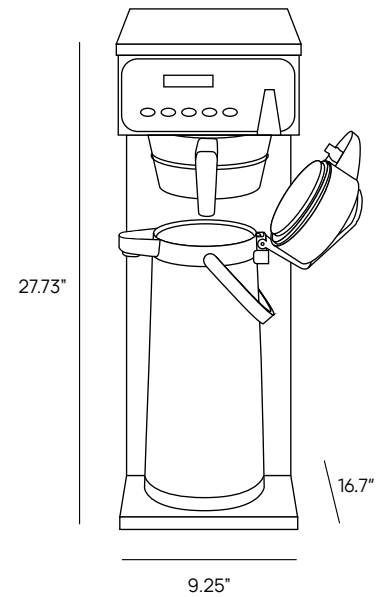


- Advanced digital system
- Stainless steel carafe holds 74 oz.
- Pulse brewing technology
- Hot water spigot
- Energy efficient





Specifications



Product Details

Improve your coffee carafe with the 152. This thermal coffee brewer holds up to 74 oz. of hot fresh coffee for up to 6 hours – no more burnt-tasting coffee! With its state-of-the-art pulse brewing technology, the 152 only brews when the water has reached optimum brewing temperature, enhancing the flavor in every brew. When idle, the 152 automatically reduces its energy consumption, switching to an energy save mode. The 152 also has a hot water spigot for tea, hot chocolate, and instant soup.

Thermal Coffee Brewer

- Advanced digital system with pulse brewing technology
- Stainless steel carafe holds 74 oz. of hot coffee for up to 6 hours
- Hot water spigot
- Energy Efficient
- Uses freshly ground coffee

Dimensions	27.73" h x 9.25" w x 16.70" d
Dispensing Area Height	18.09"
Weight	35 lbs
Rated Voltage/Frequency	120v/50/60Hz
Brew Capacity	74 oz
Water Source	1/4" Flare
Model	152
Uses freshly ground coffee	

Culligan Quench products are certified by independent authorized 3rd party laboratories in accordance of appropriate industry standards. To find out more about which certifications your product may have, please contact us.